

## M4 – Mobile 2-in-1 system ensures highest process stability and excellent cost-efficiency



### Features & benefits

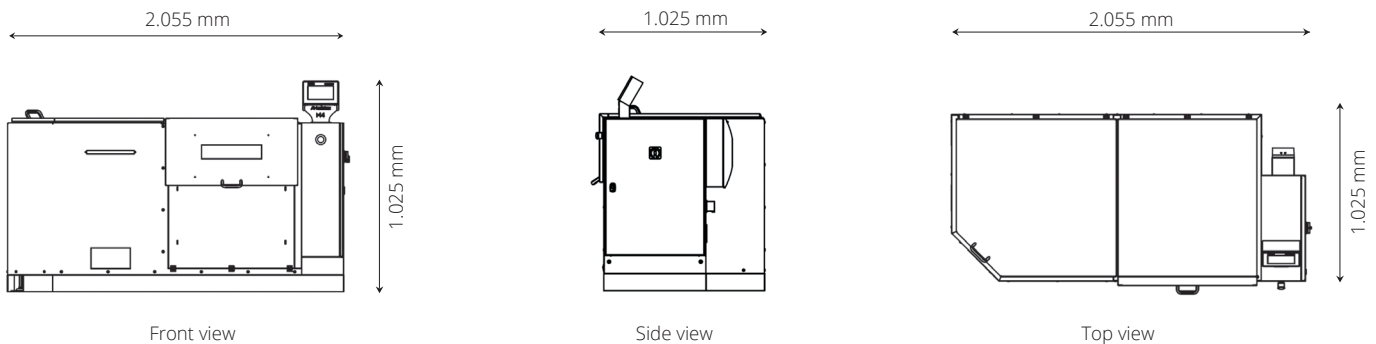
- Compact all-in-one solution for many mass finishing applications
- Suitable for small and midsize plastic and metal parts up to Ø 185 mm
- Single piece or batch processing up to a part volume of approx. 23 l
- Highest process stability as well as resource-saving and cost-efficient operation
- Mass finishing machine and process water treatment system, in a single enclosure (2-in-1)
- Space-saving mobile system requires no fresh or waste water connection
- Plug-and-play concept requires no time-consuming installation at the customer site
- Ergonomic design and special machine housing for noise protection
- Integrated, state-of-the-art operator controls
- Ready for Industry 4.0

## Technical highlights

The M4 makes it easy to get started with the surface finishing of 3D printed plastic or metal parts. The system combines a rotary vibrator and cleaning centrifuge in one housing and operates without a fresh water/waste water connection thanks to an integrated process water

recirculation. The mobile M4 has a compact, space-saving design that allows it to operate virtually anywhere. The integrated process water recirculation ensures highest process stability as well as resource-saving and cost-effective operation.

## Equipment layout



## Equipment specifications

Technical data
Machining volume: 120 l
Working channel width: 273 mm
Outer diameter: 820 mm
Max. motor speed circular vibrator: 1500 rpm
Drive power circular vibrator 0,9 kW
Drive power M4 total: 2,5 kW
Capacity of process water recycling system: approx. 60 liters

Installation conditions
Supply voltage: 400 V (3~/N/PE)
Control voltage: 24 V DC
Transport: Stacker, Pallet truck

## Possible work piece dimensions

Maximum diagonal: ~185 mm  
 Batch size: up to 23 l  
 Component volume for insensitive parts

