

M2 – High performance for shortest cycle times



Surface finishing



Polymers



Metal

Features & benefits

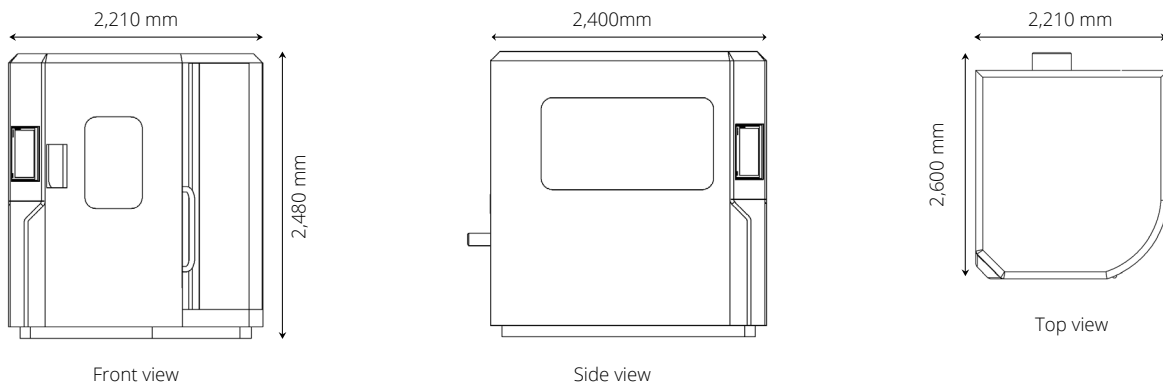
- Easy operation with intuitive controls
- Compact design
- High process stability through automatic monitoring of all relevant equipment functions
- Automated or manual batch processing

Technical highlights

Besides their intuitive and simple operation, M2 systems distinguish themselves through their high productivity for surface finishing of 3D printed metal and plastic components. Thanks to their automatic operation and high adaptability to different applications, the M2 machines

are ideal for processing large work piece volumes with absolutely repeatable quality. This true multi talent can be easily linked with an automatic work piece loading system and a work piece drier.

Equipment layout



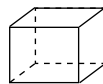
Equipment specifications

Technical data
Volume of processing bowl: 65 L
Usable volume: About 35 L
Drive power rotating spinner: 2.2 kW
Total installed power: 3.64 kW
Screening area: 440 x 580 mm
Ambient temperature: +5 to +40 °C

Electrical connection
Supply voltage: 400 V, 50 Hz, 3 Ph/N/PE*
Control voltage: 24 V DC

*Different connection voltage like US on request also available

Possible work piece dimensions (mm; W x D x H)



Minimum size: 1 x 1 x 1
Maximum size: 200 x 150 x 100

