

M3 – High performance and perfect results in every detail



Surface finishing



Polymers



Metal

Features & benefits

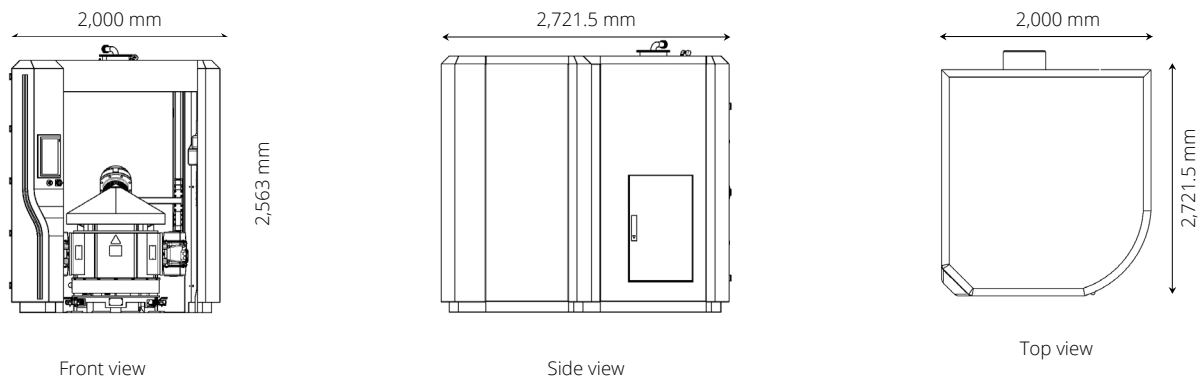
- Easy, ergonomic work piece handling
- Extensive equipment options for every task
- Suitable for machining internal channels and details
- Innovative control with many features such as live tracking of all process parameters

Technical highlights

The M3 system is ideal for post processing of 3D printed metal or plastic components, whenever these components are delicate, have a complex shape, or require extremely gentle processing. The work pieces are individually mounted to fixtures and are totally immersed in the media during the cycle. This ensures effective processing

and a uniform finish, even in internal work piece passages and hard to reach areas. The innovative equipment design allows the finishing of one big component, measuring up to 650 mm, or simultaneous treatment of several smaller components. From now on, also available with batch processing option allowing for maximum flexibility.

Equipment layout (Example)



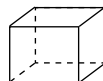
Equipment specifications

Technical data
Inside dimensions processing bowl: Ø 700 x 540 mm
Height of reception flange: 50 mm
Max. motor speed: 3,000 RPM
Water flow adjustable from 20 to 100 l/h
Compound flow adjustable from 0 - 2 l/h
Ambient temperature: +5 to +40 °C
With optional noise protection package ≤ 75dB(A)

Electrical connection
Supply voltage: 400 V, 50 Hz, 3Ph/N/PE*
Control voltage: 24 V DC

*Different connection voltage like US on request also available

Possible work piece dimensions (mm)



Minimum size: Ø 50 x 50 (H)
Maximum size: Ø 650 x 300 (H)

