

## S1 – The smart multi-talent for cleaning and surface finishing

2-IN-1 SOLUTION



Cleaning



Surface Finishing



Polymers



Metal

### Features & benefits

COMPLIANT WITH  
2014/34/EU (ATEX 114)

READY FOR  
INDUSTRY 4.0

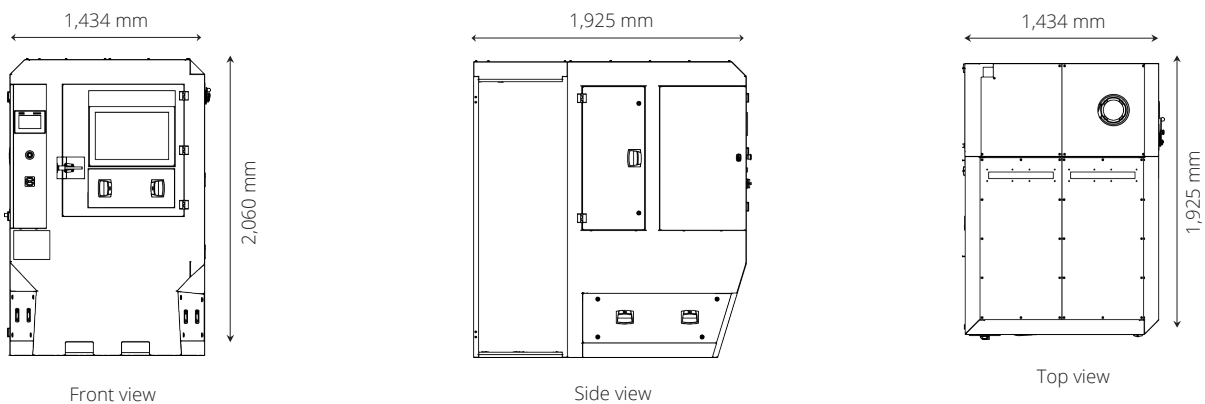
- 2-IN-1 Solution for cleaning and surface finishing with easy blast media exchange
- Especially developed for polymer powder bed based technologies
- Blast media conditioning system for best and consistent quality of blasting media
- Software controlled process automation
- Newly developed air management for even fewer deposits in the interior
- Developed in collaboration with industry leading 3D printing specialists

## Technical highlights

The next generation of the S1 sets new standards in the post-processing of powder bed-based polymer printing processes. The smart plug-and-play solution enables de-powdering, smoothing and homogenizing in just one system. The S1 is also well suited for smoothing and homogenizing of non explosive metal additive parts that have been de-powdered. It also impresses with its

simple operation by means of software-controlled process automation. Thanks to its compact and robust design, this multi-talent can be easily integrated into any production environment and offers maximum reproducibility, traceability and cost efficiency. The ergonomic design in conjunction with a process-optimized nozzle set-up for automatic operation round off the overall package.

## Equipment layout



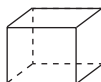
## Equipment specifications

| Technical data  |
|---|
| Dimensions of blast chamber: 1,050 x 1,150 x 960 mm (w x d x h) |
| Number of blasting nozzles: 2                                   |
| Dimensions of workpiece tray: 880 x 365 mm                      |
| Usable volume basket: 2-25 Liter                                |
| Dimension of rotating basket: Ø 400 - 650 mm                    |
| Noise level: ≤ 78dB(A)  |
| Blasting media recommendation: GP30, GP60, RPB-E30, RDP         |

| Installation conditions   |
|---|
| Supply voltage standard: 400 V, 50 Hz, 3Ph/N/PE*, CEE32A connector                              |
| Control voltage: 24 V DC  |
| Compressed air: 6 bar, 1 inch supply line, safety compressor coupling on hose nozzle, Ø = 25 mm |
| Compressed air volume: 102 m <sup>3</sup> /h  |
| Transport: Forklift, pallet truck, cranable   |
| Machine empty weight: ≈ 1,450 kg  |

\*Different connection voltage like US on request also available

## Possible work piece dimensions (mm; w x d x h)



Min. size: 5 x 5 x 5

Max. size blasting by hand: 400 x 350 x 250

Max. size in rotary basket: 300 x 200 x 150

